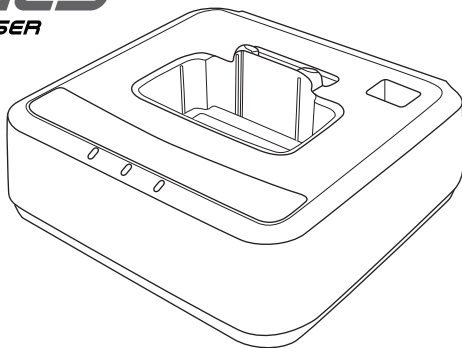




THE
G-SERIES
SINGLE UNIT CHARGER



A graphic consisting of a central dot with four dotted lines extending outwards to form a cross shape.
www.unication.com

INDEX

1. PREFACE	2
1-1. IMPORTANT SAFETY INFORMATION	2
2. PACKAGE CONTENT.....	3
2-1. STANDARD PACKAGE	3
3. 3. CHARGER APPEARANCE	4
3-1. FRONT VIEW.....	4
3-2. REAR VIEW.....	4
3-3. LED INDICATOR	5
4. FEATURE INTRODUCTION.....	6
4-1. INSTALLATION.....	6
4-2. CHARGING	7
4-4. CHARGING EXTERNAL BLUETOOTH HEADSET	8
5. SPECIFICATIONS.....	9

1. PREFACE

Unication thanks you for purchasing the G-Series Single Unit Charger. Before using the single Unit Charger, please read this manual and follow the instructions for correct charging and installation.

► 1-1. IMPORTANT SAFETY INFORMATION



This charger is used for used for Unication G2/G3/G4/G5 voice pagers only. Failure to follow these safety instructions could result in safety issues, or damage to your voice pager, charger or other property. Read all the safety information below before using you G-Series Single Unit Charger.

- △ Charge your G-Series Pager only with Unication provided batteries.
- △ Keep your charger away from any dangerous environments with high temperature, high humidity, dust, chemicals and corrosive materials.
- △ Do not disassemble your charger or power adapter.
- △ This device complies with part 15 of the FCC Rules. Operation is subject to the following two conditions : (1) This device may not cause harmful interference, and (2) this device must accept any interference received, including interference that may cause undesired operation.
- △ **IMPORTANT SAFETY INSTRUCTIONS - SAVE THESE INSTRUCTIONS.**
- △ **DANGER - TO REDUCE THE RISK OF FIRE OR ELECTRIC SHOCK, CAREFULLY FOLLOW THESE INSTRUCTIONS.**
- △ When connected to a power supply not used in the U.S.A, use a power adapter for configuration of the power supply if needed.

2. PACKAGE CONTENT



► 2-1. STANDARD PACKAGE

The G-Series Single Unit Charger Standard Package contains the following items :

Item	Charger	User's Guide
Illustration		

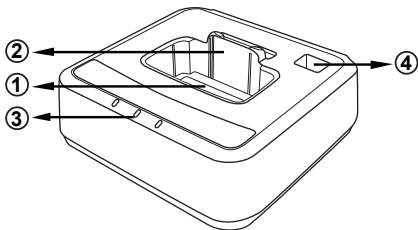
► 2-2. OPTIONAL

The following items are included in the Full Package :

Item	AC/DC Adapter	Micro-USB Cable
Illustration		

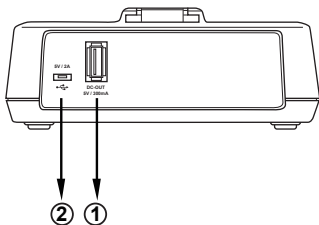
3. CHARGER APPEARANCE

▶ 3-1. FRONT VIEW



Introductions	
①	Pager Socket
②	Belt Clip Fastener
③	Power Indicator LED
④	Bluetooth Headset Seat

▶ 3-2. REAR VIEW



Output Introductions	
①	BT Headset Charging Port
②	Micro-USB Charging Port

► 3-3. LED INDICATOR

The G-Series Charger and Voice Pagers provide the following LED indicators to display the status of the charger.

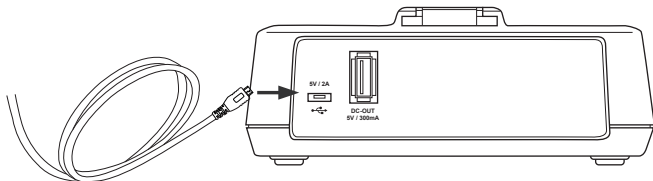
No.	LED Item	LED Behavior		G-Series Charger Indication
		LED Color	LED Action	
1	G-Series Charger LED	Green	ON	The Charging Cradle is connected to power and turned ON.
2	G4 Voice Pager LED	Red	ON	G4 Voice Pager charging in progress
		Red	ON	G4 Voice Pager fully charged
		Red	Blinking	G4 Voice Pager battery error, or connection error with charger
3	G5 Voice Pager LED	Orange	ON	G5 Voice Pager charging in progress
		Green	ON	G5 Voice Pager fully charged
		Red	Blinking	G5 Voice Pager battery error, or connection error with charger

4. FEATURE INTRODUCTION

The G-Series Single Unit Charger provides charging functionality to Unication G2/G3/G4/G5 voice pagers, and the Unication Dual Voice Source Bluetooth Headset

► 4-1. INSTALLATION

Please make sure the Micro-USB cable is connected correctly to the charger port before charging.



- Step 1 Connect the USB cable to power source of choice
(wall socket adapter, computer, vehicle power port)
- Step 2. Connect the cable into the Micro-USB charger port.

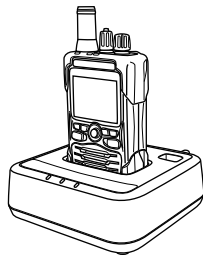
NOTE : If your charger installation is correct but the LED does not turn on please contact your local dealer.

► 4-2. CHARGING

The G-Series Charger should be used for G-Series Voice Pagers only (G2/G3/G4/G5). Before charging the G-Series Voice Pager, please make sure that the voice pager battery was provided by Unication.

Step 1. Please insert the pager vertically into the charger's pager pocket as in the following illustration. Fasten the backclip to the charger to ensure a stable connection.

Step 2. Once the pager is inserted correctly the charger will detect the battery and start charging.
When the pager is being charged, the LED light on the pager will turn on as an indicator.



NOTE : If a red LED light is flashing on the pager, please remove the pager from the charger and contact your local dealer.

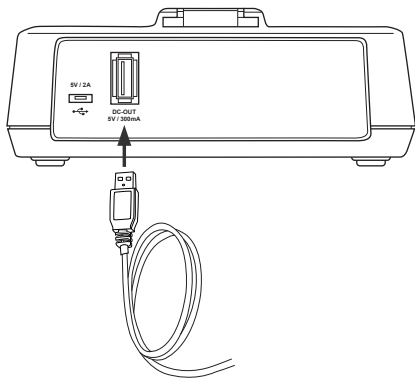
► 4-4. CHARGING EXTERNAL BLUETOOTH HEADSET

Unication's G-Series Charger also offers external Bluetooth headset charging functionality.

(※ For best compatibility, please use the Unication provided Dual Voice Source Bluetooth Headset.)

Step 1. Insert the Bluetooth charger cable into the Charger Bluetooth headset charging jack.

Step 2. Fit your Bluetooth Headset inside the BT Headset seat for ease of access.



5. SPECIFICATIONS

Item		Specification
Power Supply	Adaptor Input / Output	Input : 100~240VAC / 50~60 Hz Output 5Vdc / 2.0A
	Full Recharge Time	Average of 5 hours
External I/O	DC Jack Input	5Vdc / 2.0 A
	Standard USB Power Output	5Vdc / 0.3 A
Physical	Dimensions	120(L) x 126(W) x 40.5(H) mm
	Weight	208.2g
Handling Temperatures	Operation Temperature	0 ~ + 50°C
	Storage Temperature	-10 ~ + 60°C



Unication



For more information:

If you are in the North American area, please contact us at : sales@unication.com .

Other areas please contact us at : salesenquiry@uni.com.tw .

Corporate Headquarters :

Unication Co., Ltd.

Tel. : +886-2-22999678

Address: 5F, No.6, Wu-Kung 5Rd.,
Hsinchuang Dist., New Taipei City, 24890 Taiwan.

E-mail: salesenquiry@uni.com.tw

URL: www.uni.com.tw

North American Branch Office :

Unication USA Inc.,

Tel. : +817-303-9320

Address: 1901 E. Lamar Blvd.,
Arlington, TX 76006, U.S.A.

E-mail: sales@unication.com

URL: www.unication.com

T82GSCHA02A-R

ENG-V0.01-20170516